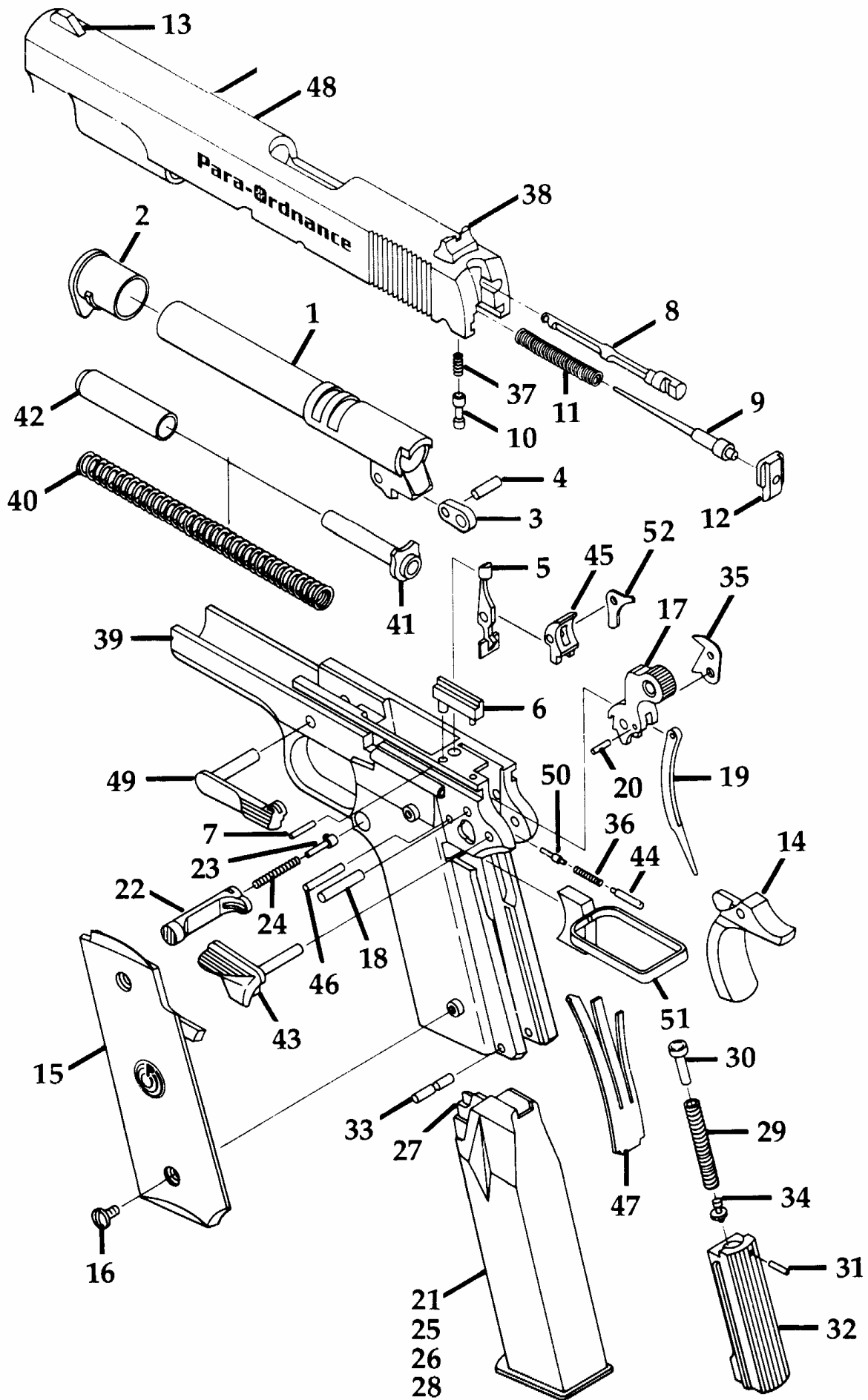


# Para-Ordnance P 14-45



1. BARREL
2. BARREL BUSHING
3. BARREL LINK
4. BARREL LINK PIN
5. DISCONNECTOR
6. EJECTOR
7. EJECTOR PIN
8. EXTRACTOR
9. FIRING PIN
10. FIRING PIN PLUNGER
11. FIRING PIN SPRING
12. FIRING PIN STOP
13. FRONT SIGHT
14. GRIP SAFETY
15. GRIP (SET)
16. GRIP SCREW (4)
17. HAMMER
18. HAMMER PIN
19. HAMMER STRUT
20. HAMMER STRUT PIN
21. MAGAZINE ASSEMBLY
22. MAGAZINE CATCH
23. MAGAZINE CATCH LOCK
24. MAGAZINE CATCH SPRING
25. MAGAZINE FLOOR PLATE (NOT SHOWN)
26. MAGAZINE FLOOR PLATE RETAINER (NOT SHOWN)
27. MAGAZINE FOLLOWER
28. MAGAZINE SPRING (NOT SHOWN)
29. MAIN SPRING
30. MAIN SPRING CAP
31. MAIN SPRING CAP PIN
32. MAIN SPRING HOUSING (FLAT)
33. MAIN SPRING HOUSING PIN
34. MAIN SPRING HOUSING PIN RETAINER
35. PLUNGER LEVER
36. PLUNGER SPRING
37. PLUNGER SPRING F/P
38. REAR SIGHT
39. RECEIVER
40. RECOIL SPRING
41. RECOIL SPRING GUIDE
42. RECOIL SPRING PLUG
43. SAFETY LOCK
44. SAFETY LOCK PLUNGER
45. SEAR
46. SEAR PIN
47. SEAR SPRING
48. SLIDE
49. SLIDE STOP
50. SLIDE STOP PLUNGER
51. TRIGGER ASSEMBLY
52. TRIGGER BAR LEVER